



# Open for Flexibility: The EasyIO Controller Platform



The power behind your mission



# Imagine the possibilities— and make them real



Discover a breakthrough approach to controlling systems and buildings. Use the EasyIO platform to control an application or an entire system, a piece of equipment or an entire plant, a room or an entire building. With open standards and open source features, EasyIO helps deliver optimal facility performance.

*Bridge the gap between IT and OT, creating your own applications to stand out from competitors*

## Remarkable flexibility

EasyIO is completely customizable, not locked into any technology, application or set of features and functions. Use this controller platform with the full range of smart, connected devices. Create your own dashboards, applications, views and reports. Take advantage of open protocols and APIs for adaptable system connections. Make it be what you want it to be.

## Savvy, secure technology

Our IT/IP/IoT-ready core supports secure IT network open standards, for compatibility across architectures. Core and auxiliary software features are based on open-source technologies, enabling you to extend features to meet specific building management needs. And EasyIO incorporates the latest IT security standards, offering resilient reliability and easy adaptability as new technologies are introduced—helping to future-proof your investment.

System integrators and contractors can build on this technology to stand apart from the competition. Create a super application for multi-site installation via smartphone, or powerful cloud applications and dashboards leveraging MQTT and API connectivity. The built-in VPN feature adds the flexibility of secured two-way connections. Additional features enable you to protect your intellectual property.



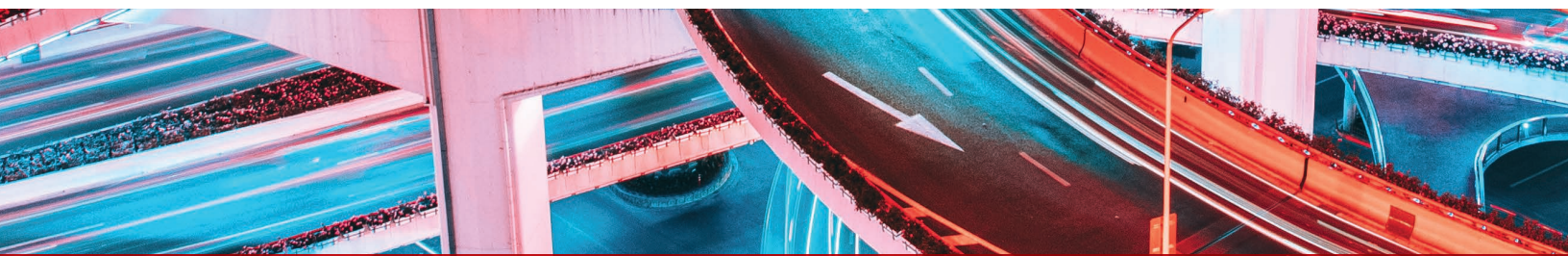


## Practical ease

Installation, management and maintenance are clear and straightforward. EasyIO simplifies application design and includes a lightweight tool for programming, graphic and widget creation, loading, and commissioning. Customization is easy but not required. Use our standard modules, or adapt them to your needs.

## High value

There are no licensing fees or recurring fees with EasyIO. Advanced features and additional standard applications are available and continually enhanced. An open community of programming lets you draw on expertise from other industries to save time and enhance your applications. In short, EasyIO is the cost-effective controller platform that brings you maximum flexibility, empowering you today and tomorrow.



*Change the way you do business—the technologies you'll need tomorrow are already here*

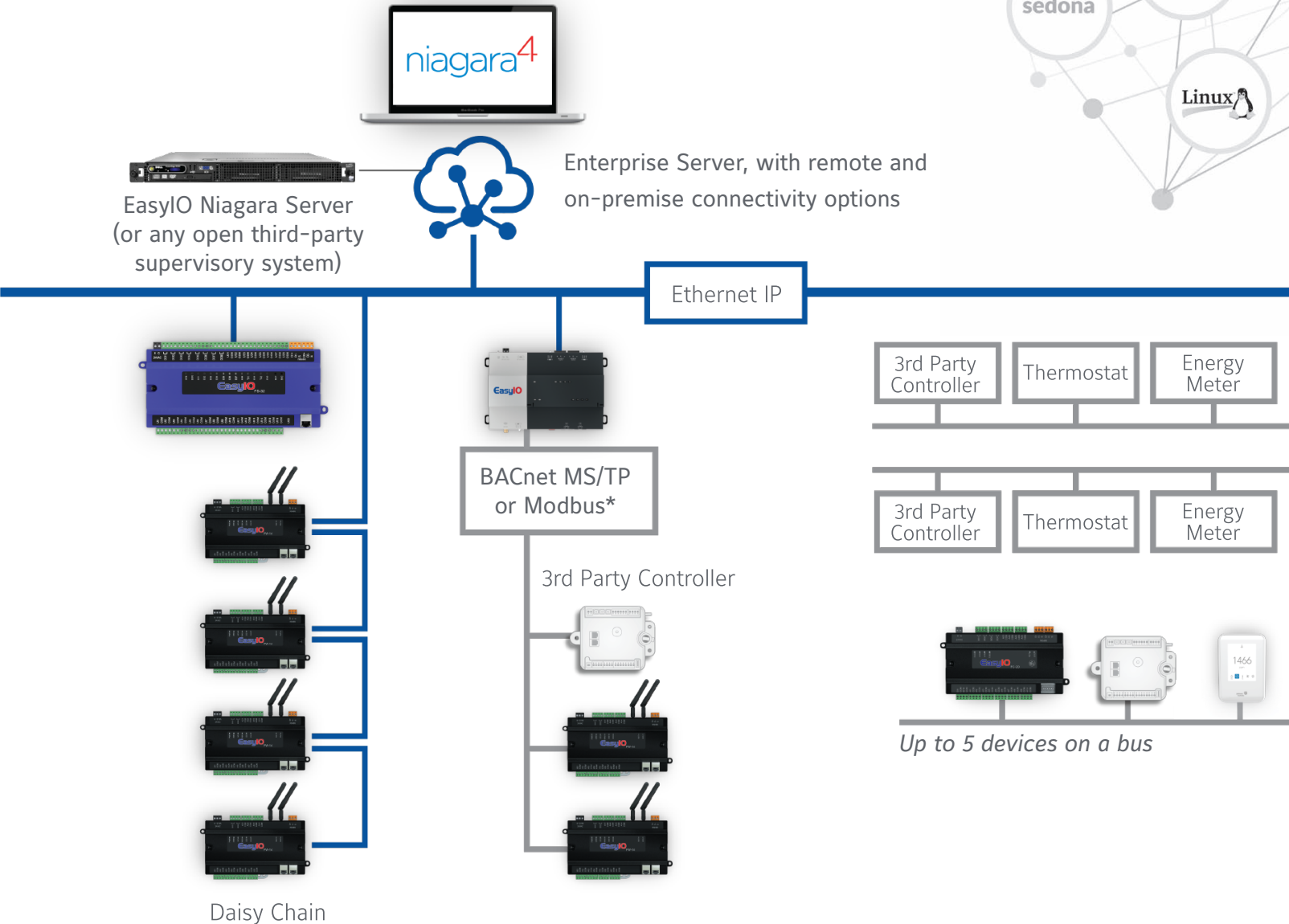
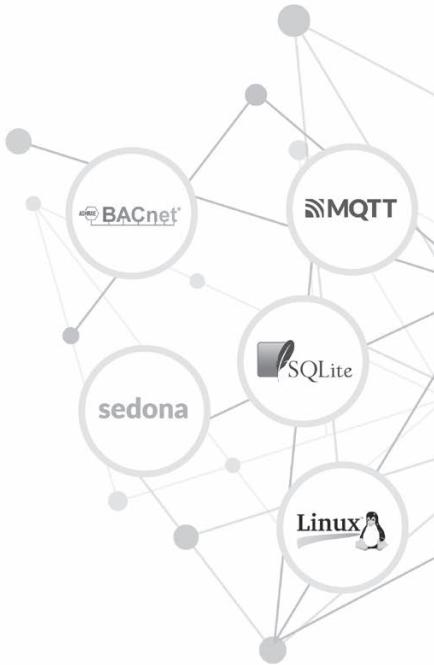
# At the core: The F Series

The EasyIO F Series forms the core of our programmable controllers. Each controller in the series adds functionality. Features to deliver security, connectivity and programmability include:

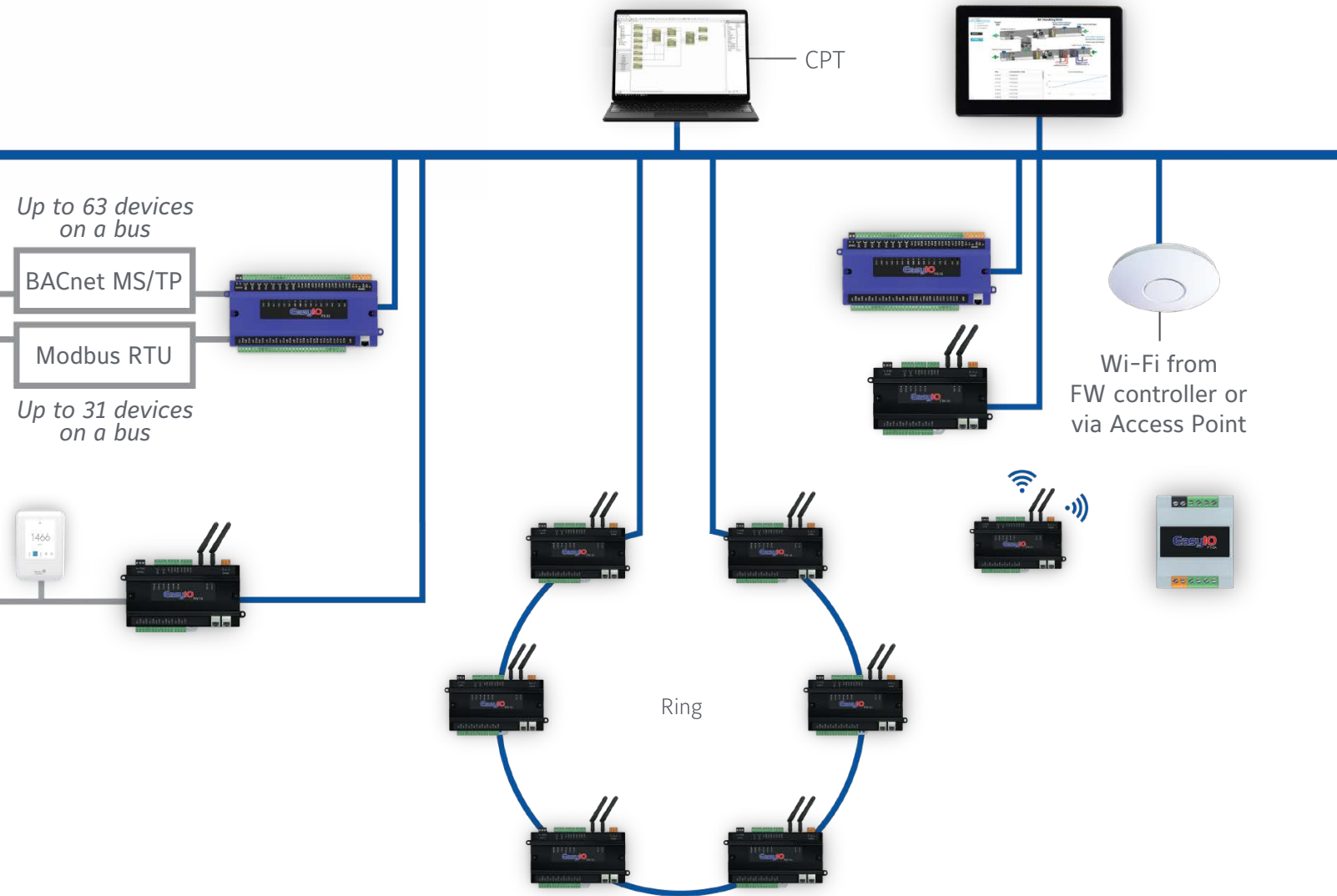
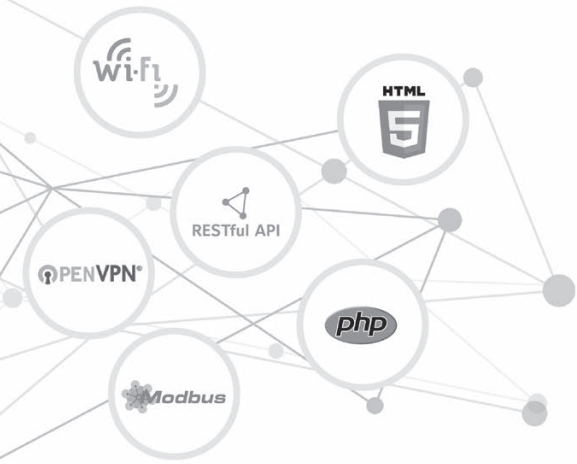
- Unlicensed programming tool that enables live and offline programming
- SQL Lite database that stores up to 100,000 records onboard
- Built-in HTML5 graphics, multilingual browser display on smartphone, tablet or laptop
- Built-in BACnet server & client on IP and MS/TP, Modbus server & client on TCP, and RTU
- Supports Modbus, BACnet, TCom, RESTful API, and MQTT, with web services for REST interfaces, and to push data to cloud
- Built-in OpenVPN server/client
- MQTT publisher and subscriber to multiple brokers and topics
- Secured Enterprise Network security 802.1X and TLS1.3; supports IPv4, IPv6 and DHCP client
- Wi-Fi access point, repeater or client mode



# EasyIO topology



*\*Devices can be configured to communicate via RS-485 (BACnet or Modbus) when needed, which is ideal for legacy retrofit applications.*





# Transform controls with EasyIO

EasyIO is backed by the significant resources of Johnson Controls, a global leader in building automation and building management systems. The technologies you need for the future are here.

**Contact your Johnson Controls representative to get started with EasyIO today!**

#### **About Johnson Controls:**

At Johnson Controls (NYSE:JCI) we transform the environments where people live, work, learn and play. As the global leader in smart, healthy and sustainable buildings, our mission is to reimagine the performance of buildings to serve people, places and the planet.

With a history of more than 135 years of innovation, Johnson Controls delivers the blueprint of the future for industries such as healthcare, schools, data centers, airports, stadiums, manufacturing and beyond through its comprehensive digital offering OpenBlue. With a global team of 100,000 experts in more than 150 countries, Johnson Controls offers the world's largest portfolio of building technology, software as well as service solutions with some of the most trusted names in the industry. For more information, visit [www.johnsoncontrols.com](http://www.johnsoncontrols.com) or follow us [@johnsoncontrols](https://twitter.com/johnsoncontrols) on Twitter.

© 2021 Johnson Controls. All Rights Reserved. PUBL-3065

The power behind **your mission**

